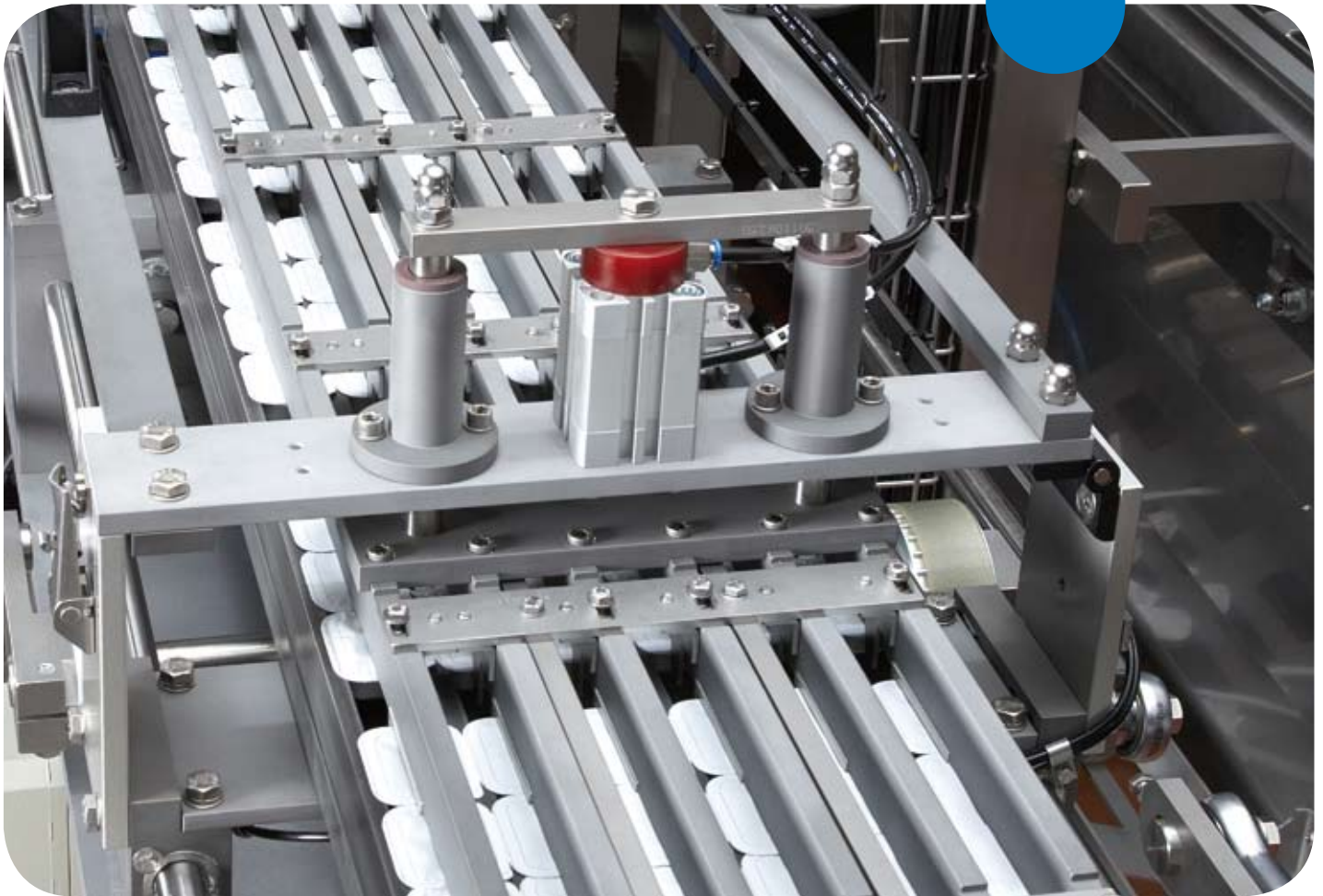


FFS MACHINE

THL series for single-portion cups



- THL 12/48
- THL 24/48

THL SERIES OF FFS MACHINES FOR SINGLE-PORTION CUPS

The objective behind OYSTAR Hassia's development initiatives is always to achieve individual technical solutions which offer maximum user friendliness. When applied to an end product, they will ensure the highest efficiency and profit optimization for the operating companies.

OYSTAR Hassia has been the technological leader in the field of FFS processes for single-portion cups for decades.

Can you imagine a hotel breakfast buffet, or your meal on board an airplane without convenient single-portion margarine, butter, jam, sauce, dressing, honey or cheese cups?

OYSTAR Hassia forming, filling and sealing machines for single-portion cups are the ideal investment. Offering convincing advantages at the highest technical level, they are a guarantee of reliability.





Pre-heating and forming station



Dosing unit CIP-SIP



Lid material supply, sealing and punching station

Advantages

- Careful product handling with an eye to quality assurance
- Dosing units adjusted to the product requirements
- High filling accuracy
- Optimum hygiene standards ensured
- Hermetic pack seal – easy to open

Technical aspects

- Guaranteed output performance
- Absolute service friendliness
- Individual drives for all stations (servo technology)
- Remote diagnosis and tele-service via an internet link
- HMI (Human Machine Interface)
- Operational data collection
- Automatic station positioning
- Dosing units with optimum filling accuracy
- Fillers in hygienic or up to fully aseptic design
- Automatic cleaning (CIP and SIP)
- Integrated collective packing systems

Flexibility

- Customer- and product-specific design in line with product and production requirements
- Many cup designs are possible
- Size configuration in keeping with the production capacity required
- Flexible control concepts and integration with customer-specific systems
- All common packaging materials can be processed





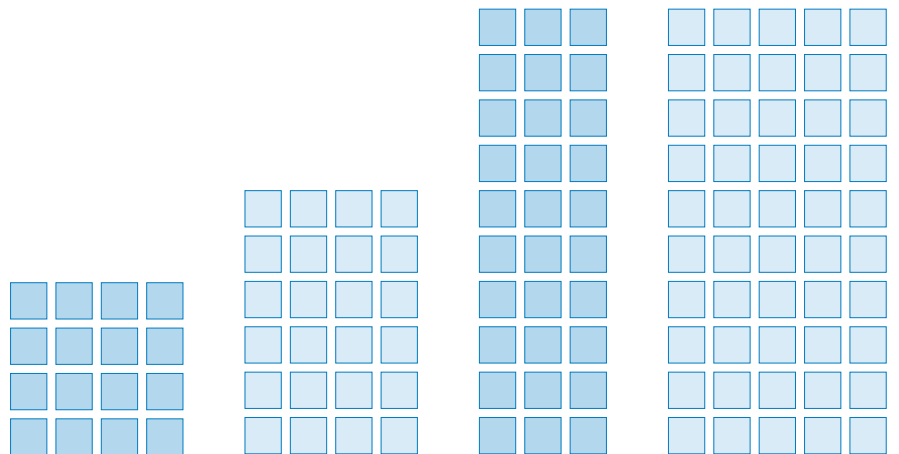
Possible uses

In the dairy industry for packaging: butter, desserts, cream cheese, soft cheese

In the food industry for packaging: ketchup, mustard, mayonnaise, sauces, jams, honey, spreads, nougat cream, margarine, spices, herbs, dressings

An economic solution for every production requirement!

OYSTAR Hassia offers FFS machines for single-portion cups in various capacity ranges; the example shown here is a single-portion cup with a capacity of 20 g and a rated output of 30 cycles a minute.



Size configuration	16-up	24-up	30-up	50-up
Cups/hour up to approx.	28.000	43.000	54.000	90.000
Production capacity/hour	560 kg/h	860 kg/h	1.080 kg/h	1.800 kg/h



Walking beam conveyor for case packing



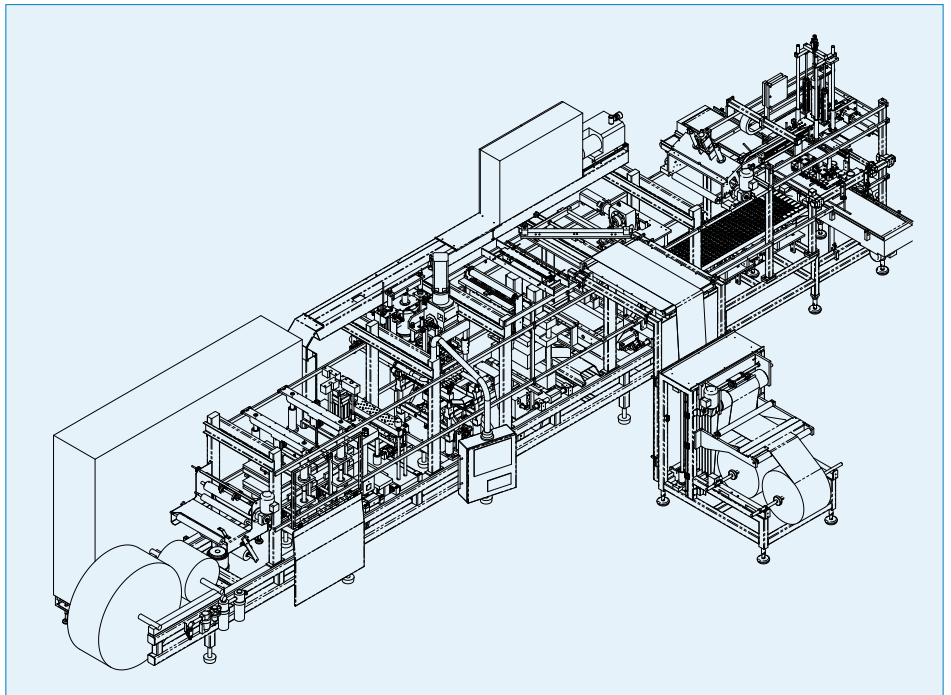
Cup transfer into cartons by suction plates

Case packing system

The case packing system deposits complete punch formats in several layers into cartons. Cartons can be supplied and sealed manually. Interleaf insert, automatic carton supply and discharge systems are also available.

The walking beam conveyor always take one complete punch cycle horizontally out of the punch and move one complete punched unit by overlapping in longitudinal and cross directions during transport.

- a) Surface reduction = a smaller carton size and less transport and storage volume
 - b) The tableau is stabilized in the carton
- The transfer unit then deposits the tableaux in several layers in one or two cartons.



Machine details	THL 12/48	THL 24/48
Length, approx.	11 m	12,5 m
Depth (excl. control cabinet) approx.	3 m	2 m
Height (depending on dosing system)	3 m	3 m
Weight, approx.	9 t	12 t
Drive	Servo systems	Servo systems

Technical details	THL 12/48	THL 24/48
Max. working width	480 (540) mm	480 (540) mm
Max. draw-off length	120 mm	240 mm
Max. drawing depth	40 mm	40 mm
Max. reel diameter		
Cup material	1.200 mm	1.200 mm
Lid material	400 mm	400 mm

OYSTAR Holding GmbH
Lorenzstrasse 6
76297 Stutensee, Germany

P +49 7244 747 0
F +49 7244 747 299
info@oystar-group.com
www.oystar-group.com

Hassia Verpackungsmaschinen GmbH
Heegweg 19
63691 Ranstadt, Germany

P +49 6041 81 0
F +49 6041 81 344
info-dairypackaging@oystar-group.com
www.oystar-group.com

OYSTAR Group Worldwide

